

ZMT ON LOAD TAP CHANGER

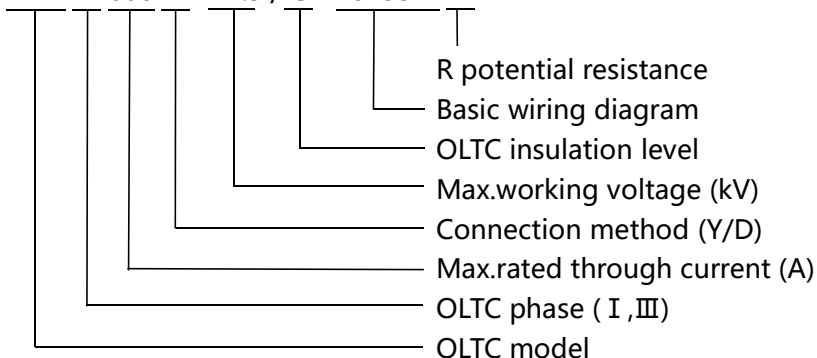
◎ Product Introduction

ZMT OLTC is a kind of multi-level coarse and fine voltage-regulating OLTC specially designed and manufactured by Guizhou Changzheng Electric Co., Ltd. for special transformers with high voltage level, wide voltage range and large capacity.

The OLTC is widely used in the smelting industry, such as the electrolytic aluminum industry. Operate the OLTC under load to change the tap position of the rectifier transformer winding (up to 107 positions), so that the low voltage side voltage can be in a larger range according to the smelting process. The requirements change accordingly to produce high-quality products at competitive prices.

◎ Model Description

ZMT III 600 □ -72.5 / C - 10193W R



The basic wiring diagram consists of four parts: fine adjustment contact number, tap position number, 1, G, and fine adjustment contact number: 10, 12, 16, 18

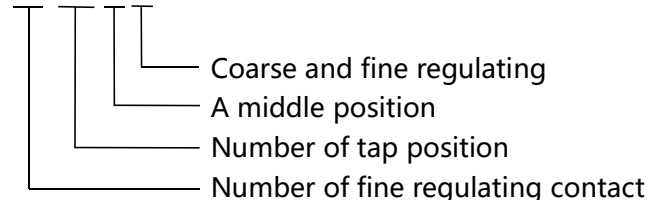
The number of tap positions is the value corresponding to the fine and coarse adjustment stages in the above table

1: Indicates that the No. of intermediate positions is 1

G: Indicates coarse and fine adjustment

Eg:

18 107 1 G



⑥ Number of Tap Position

	No. of step of fine regulating	9	11	13	15	17
No. of step of coarse regulating	No. Of fine regulating contact	10	12	14	16	18
	No. of coarse regulating contact					
2	3	29	35	41	47	53
3	4	39	47	55	63	71
4	5	49	59	69	79	89
5	6	59	71	83	95	107

Note: the No. of tap positions = the No. of fine adjustment contacts × the No. of coarse adjustment contacts -1; The No. of fine regulating contacts and the No. of coarse regulating contacts are both single-phase contact values. If it is a group of parallel contacts, it is calculated as one contact.

⑥ ZMT Technical Data

Item	Specifications	III600	I601	I800	I1200	
1	Max.rated through current (A)	600	600	800	1200	
2	Rated frequency (Hz)	50 or 60				
3	Phase & connection method	3 phase neutral point of Y connection Single phase for any connection model				
4	Max.rated step voltage (V)	3300				
5	Rated step capacity(kVA)	1000	1400	1500	1000	
6	Withstand short circuit capacity (kA)	Thermal (3s)	6	8	8	6
		Dynamic (peak)	15	20	20	15
7	Operating positions	Linear regulating: 7,10,12,14,16,18,22,34 Reversing regulating: $\pm 3 \sim \pm 17$				
8	Insulation level of tap changer (kV)	Rated voltage				
		Max. service voltage				
		Power frequency withstand voltage (50Hz, 1min)				
		Rated lightning impulse withstand voltage (1.2/50 μ s)				
9	Tap selector	3 Grades of B,C,D according to insulation level				
10	Mechanical life	≥ 1000000 times				
11	Electrical life	≥ 200000 times				
12	Diverter switch Oil chamber	Work pressure	3×10^4 Pa			
		Sealing performance	No leakage under 6×10^4 Pa for 24 hours			
		Overpressure protection	Blasting cap blast at $(4 \sim 5) \times 10^5$ Pa			
		Protection relay	QJ4-25 oil flow speed set at 1.0m/s $\pm 10\%$			
13	Oil displacement (L)	约 191~350				
14	Oil filling capacity (L)	约 130~220				
15	Weight (KG)	约 250~330				
16	With motor driver mechanism	MAE/MA7B				

Note: 1. The stage capacity is equal to the product of the stage voltage and the load current, and the rated stage capacity is the maximum stage capacity allowed continuously.

2. When selecting the single-phase switch formed by the parallel connection of the three-phase tap switch contacts, the transformer coil shunt should be considered, ZMTI800 two-way shunt, ZMTI1200, I1500 three-way shunt.